

Termination Magazine

TELECOM OUTSIDE PLANT

The QDF (Quick-Connect Distribution Frame) family of products provides a reliable, quick and easy to use system for wire management.

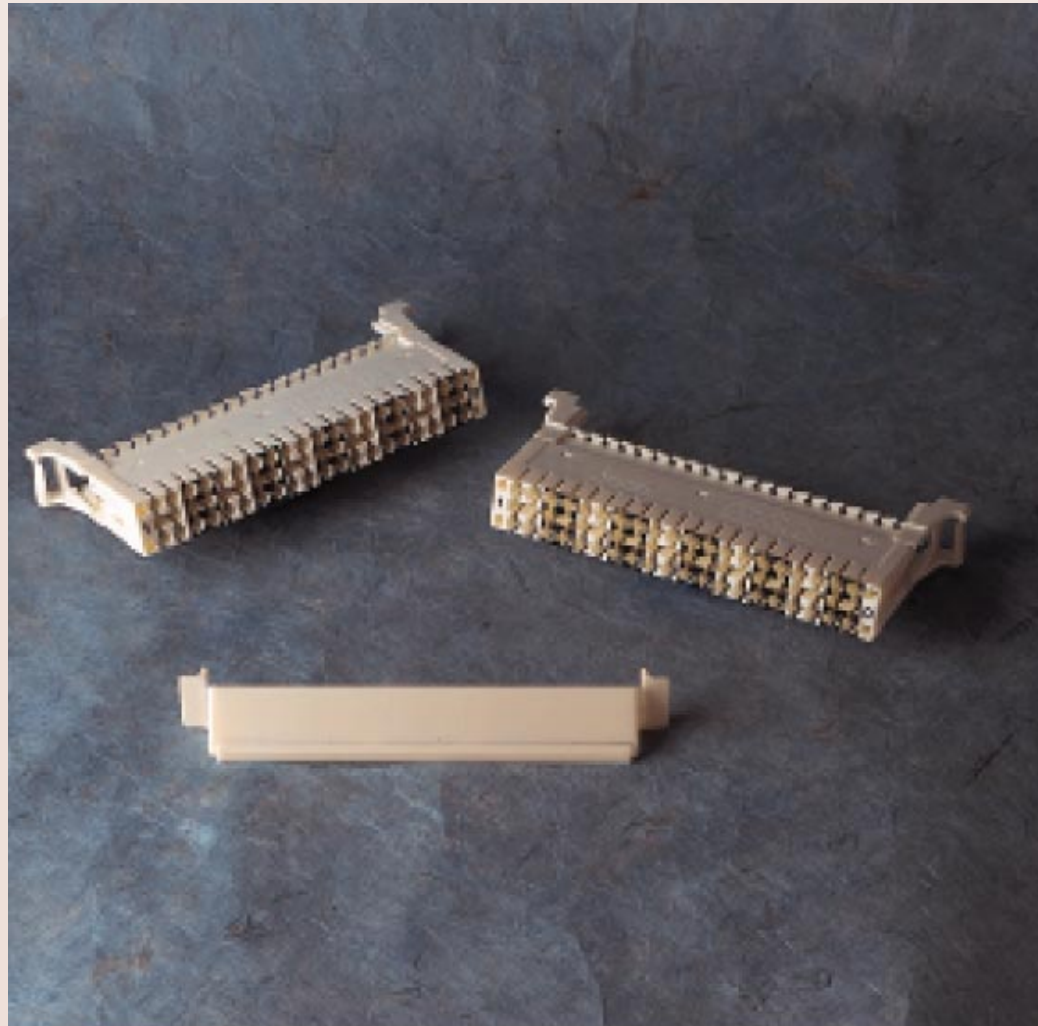
The QDF-E magazine utilises unique split cylinder insulation displacement contact (IDC). This provides fast and reliable wire termination while eliminating time-consuming wire stripping and wrapping or soldering. The 2-wire capacity of the split cylinder allows teeing on to (commoning) circuits.

It is a 10-pair magazine designed for applications in which there is or will be a need for protecting, testing or breaking the circuits. This includes distribution frames and on customer premises, as well as in outside plant installations.

It's design provides built-in break access jacks which can be separated for testing in both directions on protected as well as unprotected circuits, for monitoring circuit performance or for circuit disconnection. The break access jacks also accept individual protector modules. The "make-before-break" design of the break access jacks enables testing and patching without any loss of signal; a substitute circuit is established through the tip of the plug before it breaks the original circuit.

The IDC contacts are housed in a thermoplastic termination block incorporating an integrated earthing strip which automatically connects to the metal mounting bracket when the magazine is installed.

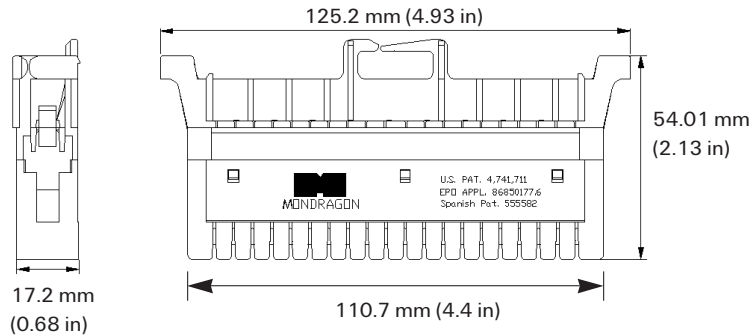
A wide range of protection options is available, as is a broad selection of accessories, such as patch-cords, designation covers and wings, circuit markers and line-opening and line-grounding plugs.



Q D F - E

QDF-E

Dimensions



Break-Access Jack



Ordering Information

Description	Numbering	With designation cover		Without cover	
		Catalogue number	PCN number	Catalogue number	PCN number
Magazine	1-0	QDF-E1D	527320-000	QDF-E1	005860-000
Magazine	0-9	QDF-E0D	666517-000	QDF-E0	270636-000
Magazine (grey)	1-0			QDF-E1P-G	438580-000
Magazine with dual wire guide	1-0	QDF-EB1D	856723-000	QDF-EB1	105936-000
Magazine with dual wire guide	0-9	QDF-EB0D	656475-000	QDF-EB0	857426-000
Magazine with left wire guide	1-0	QDF-EL1D	457082-000	QDF-EL1	041584-000
Magazine with left wire guide	0-9	QDF-EL0D	405778-000	QDF-EL0	669606-000
Magazine with right wire guide	1-0	QDF-ER1D	739866-000	QDF-ER	675706-000
Magazine with right wire guide	0-9	QDF-ER0D	688946-000	QDF-ER0	802193-000
Designation cover		QDF-ED			944976-000
Designation cover (grey)		QDF-EDG			163823-000
QDF-E left wire guide		QDF-LWGW			485501-000
QDF-E right wire guide		QDF-RWGW			485124-000
QDF-E dual wire guide		QDF-DWGW			939872-000

Note: The above products are predominantly white unless otherwise indicated.

Specifications

Housing Material

Fiber-glass reinforced polycarbonate/polyester UL 94 V0 rated (self extinguishing), oxygen index 29.5.

Split Cylinder Contact Material

High strength phosphor bronze with anti-corrosion coating.

Earthing Strip

High corrosion resistance brass with anti-corrosion coating.

Conductor Sizes

Solid wire: 0.4 mm to 0.9 mm (26 to 19 AWG)

Stranded wire: 0.4 mm to 0.64 mm (26 to 22 AWG)

Note: If two wires are terminated on a contact, they must be the same size.

Wire Sizes

Range accommodated (including insulation): 0.69 mm to 1.50 mm

Electrical Characteristics

Insulation resistance	> 1000 GΩ at 500 Vdc
Dielectric withstand	2000 Vac for 5 mins
Current capacity	20 A total, 10 each line side to earth with no magazine distortion
Cross talk (average)	-100 dB @ 20 kHz -70 dB @ 2.048 Mbps
Contact resistance (including the two split cylinders, contact between them, and wire contacts)	7 mΩ maximum
Maximum change in resistance, ΔR (after environmental testing)	2.5 mΩ per contact interface

Durability

Minimum 200 insertion and withdrawal cycles.

Tyco and QDF are trademarks of Tyco International.

The information given herein, including drawings, illustrations and schematics which are intended for illustration purposes only, is believed to be reliable. However, Tyco Electronics makes no warranties as to its accuracy or completeness and disclaims any liability in connection with its use. Tyco Electronics' obligations shall only be as set forth in Tyco Electronics' Standard Terms and Conditions of Sale for this product and in no case will Tyco Electronics be liable for any incidental, indirect or consequential damages arising out of the sale, resale, use or misuse of the product. Users of Tyco Electronics products should make their own evaluation to determine the suitability of each such product for the specific application.

Mondragon Telecommunications

Polígono industrial Mediterráneo
C/. la Fila, parcela 1
46550 Albuixech-Valencia, España
Tel.: 34-96-141 70 72
Fax: 34-96-141 74 15

Tyco Electronics Raychem NV

Telecom Outside Plant
Dietssesteenweg 692
3010 Kessel-Lo, Belgium
Tel.: 32-16 351 011
Fax: 32-16 351 697
www.tycoelectronics.com

Tyco Electronics Corporation

8000 Purfoy, Rd.
Fuquay-Varina, NC 27526, USA
Tel.: 1-919-557 8600
Fax: 1-919-557 8404